

# CRT Power Supply

Original Released: 07-16-14

**CRS110G50 • CRS180G60**

## ELECTRICAL RATINGS

Part Number	$V_0$	$G2_{(MAX)}$
	kV	V
CRS110G50	11.0	500
CRS180G60	18.0	600

## SPECIFICATIONS

### CRS110G50:

Anode Output Voltage: 6-11kVDC adjustable  
G2 Output Voltage: 200 to 500VDC adjustable

### CRS180G60:

Anode Output Voltage: 11-18kVDC adjustable  
G2 Output Voltage: 200 to 600VDC adjustable

### Electrical:

#### CRS Series

Input Voltage: +24VDC  $\pm$  10%  
Anode Output Current: 0 to 550 $\mu$ A  
Anode Ripple Voltage: < 1% peak to peak  
Anode Load Regulation: < 0.1% for NL to FL change  
G2 Output Current: 0 to 50 $\mu$ A  
G2 Ripple Voltage: < 1% peak to peak  
G2 Load Regulation: < 0.1% for NL to FL change

### Environmental:

• Storage Temperature: -40°C to +85°C  
• Operating Temperature: 0°C to +50°C



## Features:

- Low ripple
- Excellent regulation
- Arc and short circuit protection
- Adjustable anode voltage

## CRS Series:

The CRS110G50 & CRS180G60 power supplies provide 11kV and 18kV anode voltages as well as G2 voltage adjustable to 500V & 600V respectively. These supplies feature excellent regulation, low ripple and adjustable anode voltage.

Dimensions: In. (mm) • All temperatures are ambient unless otherwise noted. • Data subject to change without notice.



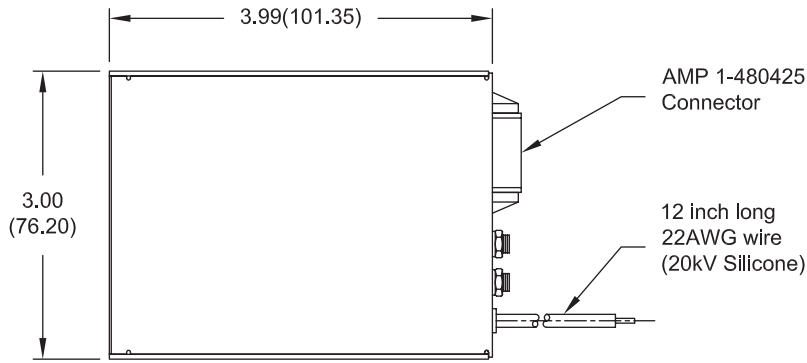
**Voltage Multipliers Inc.**

8711 W. Roosevelt Ave.  
Visalia, CA 93291 USA

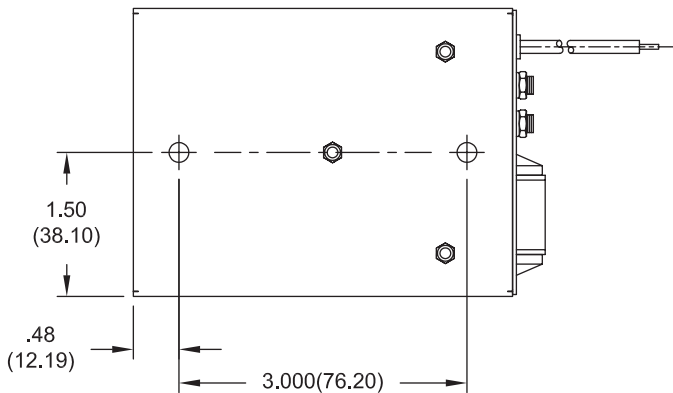
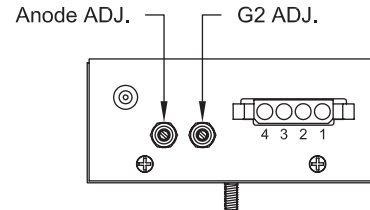
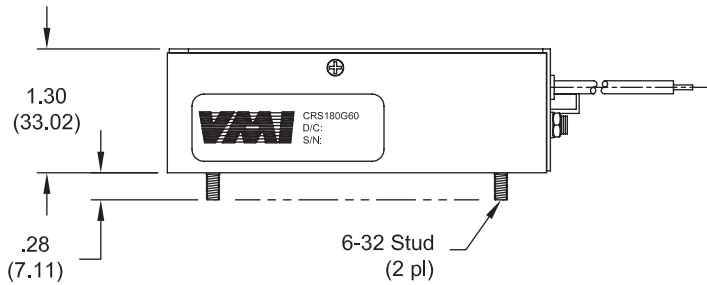
Tel: 559.651.1402  
Fax: 559.651.0740

[www.voltagemultipliers.com](http://www.voltagemultipliers.com)  
[www.highvoltagepowersupplies.com](http://www.highvoltagepowersupplies.com)

# CRS110G50 CRS180G60



Tolerance:  
 .XX ±.020  
 .XXX ±.010



INTERFACE PIN ASSIGNMENT	
1	G2 Out
2	+24VDC
3	Factory use only
4	Ground

Dimensions: In. (mm) • All temperatures are ambient unless otherwise noted. • Data subject to change without notice.



Voltage Multipliers Inc.

8711 W. Roosevelt Ave.  
 Visalia, CA 93291 USA

Tel: 559.651.1402  
 Fax: 559.651.0740

[www.voltagemultipliers.com](http://www.voltagemultipliers.com)  
[www.highvoltagepowersupplies.com](http://www.highvoltagepowersupplies.com)